





## Tank Bag Ring Manual

Please read the manual and related after-sales service terms carefully before use. Incorrect installation and use can damage the product, significantly affect safe driving, and lose related free warranty services.

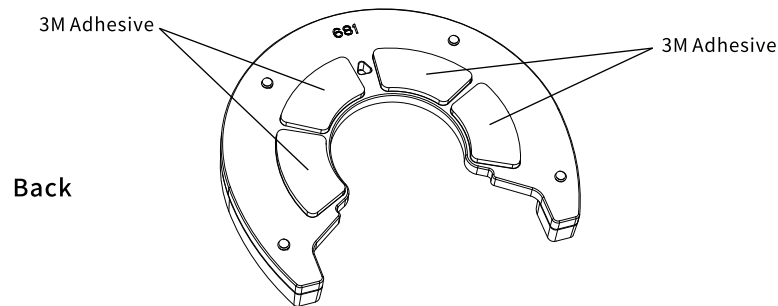
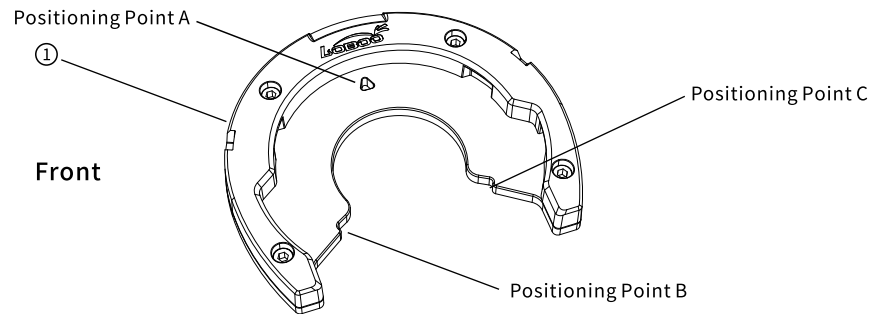
### Parameter

Model: BTBZJ  
Sub-model: BTBZJ681  
Material: Aluminum alloy, Nylon

### Accessories List

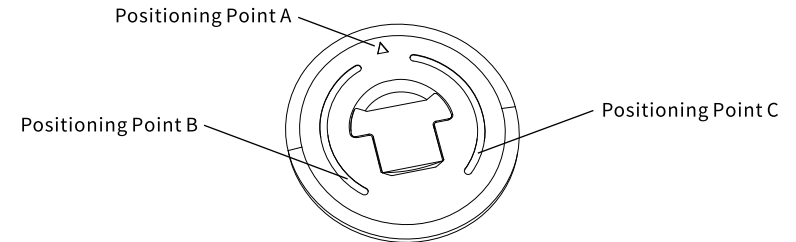
NO.	Name	Diagram	Quantity	Remarks
①	Tank Bag Ring		1 piece	
②	Alcohol Cotton		2 pieces	

### Product Illustration

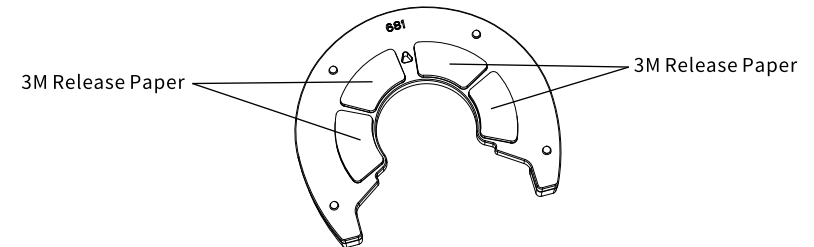


## Tank Bag Ring Manual

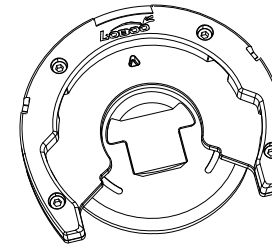
1. Use alcohol cotton to wipe the motorcycle tank cap, remove stains, and pay attention to the three positioning points of the motorcycle tank cap shown in the figure below.



2. Peel off the 3M release paper at the bottom of tank bag ring.



3. Align the three positioning points of tank bag ring with the three positioning points of the motorcycle tank cap, confirm that they are correct, and then stick them together and press lightly.



### Note:

1. After installation, it must be left for 72 hours before the tank bag can be installed.
2. When refueling, try to avoid gasoline directly contacting tank bag ring.
3. When washing motorcycle, don't flush the tank bag ring directly with the high-pressure water gun.
4. When using bleach, softener or other acid-base cleaners, do not let them come into direct contact with the tank bag ring.

# Warranty Card

Please read this after-sales service guarantee card carefully. If you cannot accept it, please contact the dealer for return and exchange in time. Installation and use means acceptance of this after-sales service term.

## After-sales Service Terms

1. One-year free warranty period, this product can enjoy free repair service within one year from the date of sale if there are quality problems under normal circumstances.
2. Limited warranty: After the one-year warranty period expires, LOBOO will provide paid warranty service, the cost is based on the actual replacement material cost, and no labor cost is charged separately.

## Free Warranty Service Does Not Include The Following

1. No warranty card or cannot provide valid purchase proof.
2. Improper installation, misuse, man-made or accidental damage, self-disassembly, self-modification and repair, etc.

## Return and Exchange Information

Platform ID: \_\_\_\_\_ Order Number: \_\_\_\_\_

Contact Name: \_\_\_\_\_ Contact Phone: \_\_\_\_\_

Return Address: \_\_\_\_\_

## Description

Please keep this card properly and send it back with the product (copy is valid)



## 摩托车通用型油箱包转接底座使用说明

使用前请仔细阅读说明书及相关售后服务条款,错误的安装和使用方式会损坏本产品或对安全行车造成重大影响并失去相关的免费保修服务。



### 产品特性

型号: BTBZJ

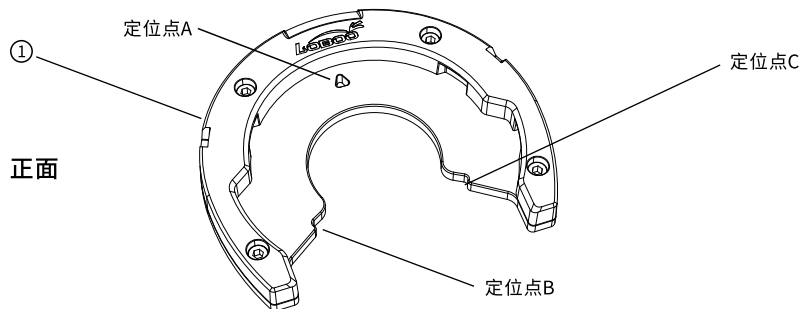
款号: BTBZJ681

材质: 铝合金、尼龙

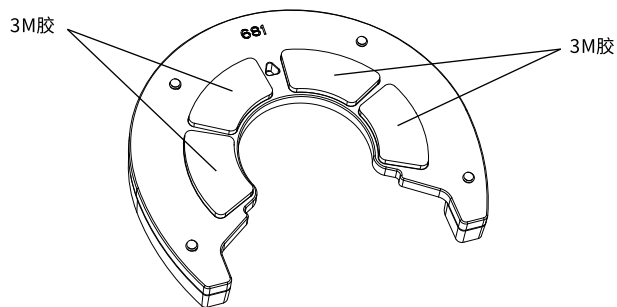
### 配件清单

序号	名称	图例	数量	备注
①	转接底座		1个	
②	酒精棉		2片	

### 产品图示



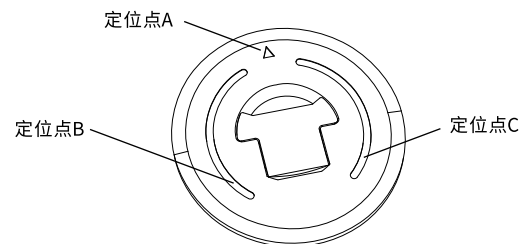
正面



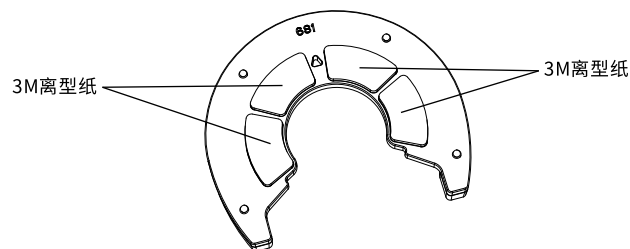
背面

## 摩托车通用型油箱包转接底座安装说明

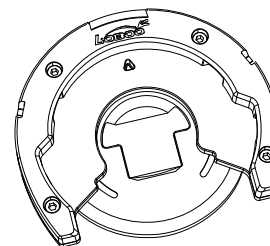
1. 使用酒精棉擦拭油箱盖,清除污渍,并注意下方图示油箱盖三个定位点位置。



2. 撕掉转接底座底部的3M离型纸。



3. 将转接底座三个定位点与油箱盖三个定位点对齐,确认无误后贴合,并轻微按压。



### 注意事项:

1. 安装完成后必须静置72小时才能安装油箱包。
2. 加油时请尽量避免汽油直接接触到转接底座。
3. 洗车时高压水枪请勿直接冲洗转接底座。
4. 使用漂白剂、柔顺剂或其它酸碱性清洁剂时请勿直接接触到转接底座。

## 售后服务保障卡



请仔细阅读本售后服务保障卡,如不能接受,请及时联系经销商退换货,安装并使用即表示接受此售后服务条款。

### 售后服务条款

1. 1年免费保修期,此款产品自售出之日起1年内,在正常情况下出现质量问题可享受免费维修服务。
2. 有限保修:1年保修时间到期后,LOBOO将提供有偿保修服务,费用以实际更换材料费用为准,不另收取人工费用。

### 免费保修服务不包括以下内容

1. 无保修卡或不能提供有效购买凭证。
2. 安装、使用不当、人为或意外损坏、自行拆解、自行改装和维修等。

### 退换货信息

平台ID: \_\_\_\_\_ 订单编号: \_\_\_\_\_

联系人姓名: \_\_\_\_\_ 联系人电话: \_\_\_\_\_

回寄地址: \_\_\_\_\_

### 售后事项

请妥善保管好此卡并与产品一起寄回(复印件有效)